



Chevrolet Spark EV

First Responder Quick Reference Sheet



The intent of this Quick Reference (QR) is to provide basic information at a glance to help you respond to emergency situations involving Chevrolet Spark Electric vehicles (EV) in the safest manner possible. This quick reference sheet identifies the location of the unique badging, and includes illustrations of the unique components of the Spark EV. The guide also describes methods of disabling the high voltage system and identifies areas that should not be cut into.

Chevrolet Spark EV

Vehicle Introduction

The Chevrolet Spark EV is a fully electric, front-wheel drive, four-passenger vehicle. The Spark EV uses electrical energy that is stored in a high voltage battery to drive a single electric motor. Once the battery capacity is reduced, the vehicle must be recharged by an external energy source.

Vehicle Exterior Identification

The Chevrolet Spark exterior badging is one method of identifying the vehicle. The badging will include the acronym "EV" which denotes Electric Vehicle. The vehicle's logo is located on the right side of the deck lid as well as low on the rear bumper. You may also identify the vehicle by the charge port on the left fender.



Vehicle Interior Identification

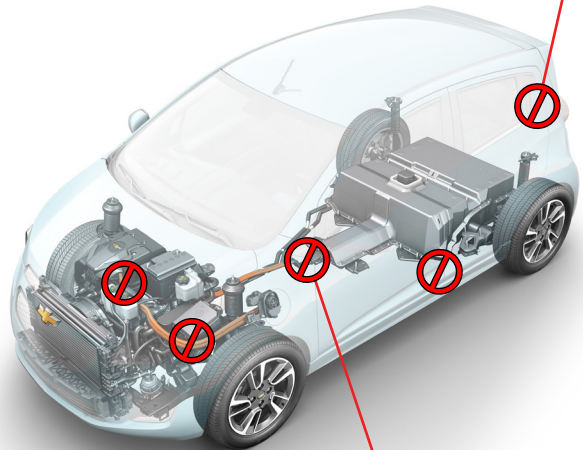
A unique Liquid Crystal Display (LCD) instrument panel cluster assists in identifying the Spark EV.



Vehicle - DO NOT CUT ZONES

DANGER: Do NOT cut the orange high voltage 360 volt cables. Cutting these cables can result in serious injury or death. No matter which disable method you perform, always assume the high voltage cables and components contain high voltage.

DO NOT CUT HERE. Side curtain air bags and lift gate hold open struts.



DO NOT CUT HERE. The Spark battery has 360 volt electrical potential at all times. It is located underneath the vehicle above the rear axle.

DO NOT CUT These Areas

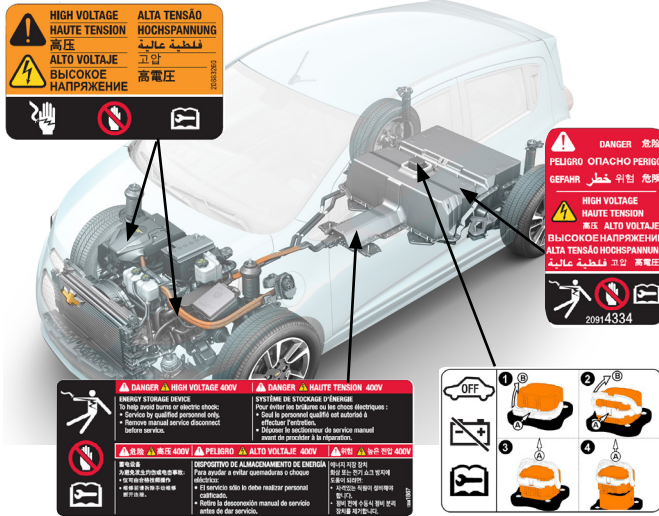
- Center tunnel area or the area under the rear seats - the 360 volt battery is installed in this area.
- Rear pillar area near the lift gate hinge - side curtain air bag inflators and lift gate hold open struts are located in this area.
- Front and rear seat backs on the outboard side - these areas contain side air bags.
- The B pillar near the rocker - pillar area contains the seat belt pretensioner and the side impact sensor.
- The front door upper hinge area - additional side impact sensors are located there.

WARNING: Do NOT cut into the vehicle until the 12V electrical system has been disabled. Cutting into the vehicle prior to disconnecting and isolating the 12V electrical energy sources may cause air bag deployment resulting in serious injury.

Chevrolet Spark EV

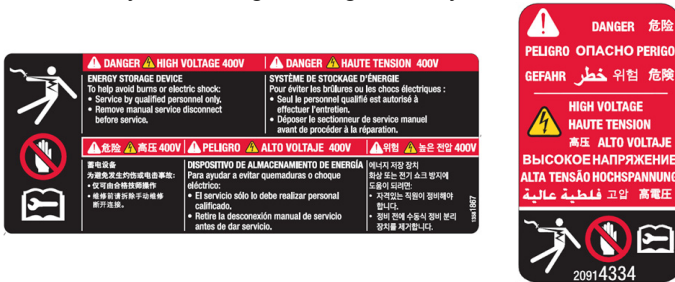
High Voltage Labels

A series of high voltage labels enable quick identification of potential electrical hazards. The color coded labels on each high voltage component indicate the potential high voltage state.



High Voltage Danger Labels - Red

The high voltage danger labels are red and indicate that high voltage is present at all times. These labels are located only on the high voltage battery.



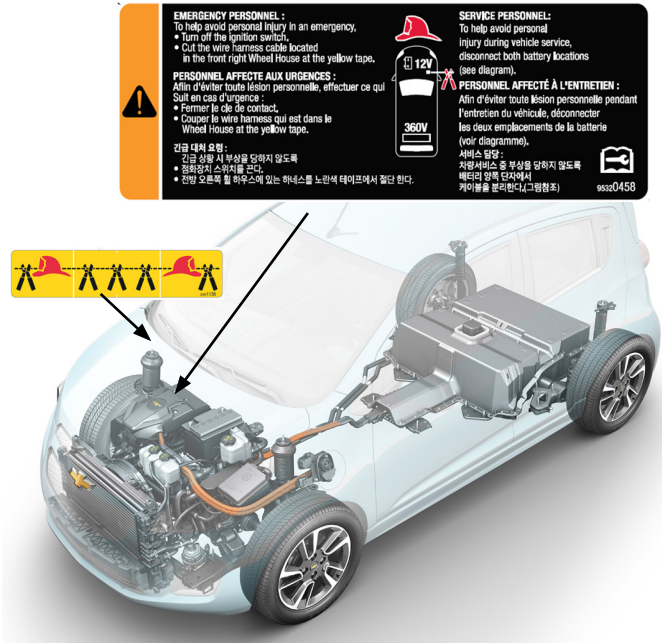
High Voltage Warning Label - Orange

The high voltage warning labels are orange and indicate a potential shock hazard if high voltage is not properly disabled. The labels are located on all high voltage components with the exception of the high voltage battery which utilizes the red danger label.



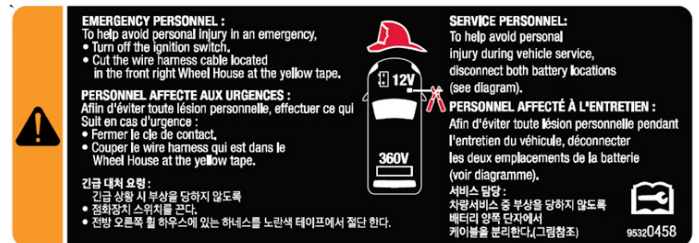
First Responder Labels

GM has implemented the labels shown here to help first responders safely disable the vehicle in an emergency situation.



Emergency / Service Personnel Label

The emergency / service personnel warning label is affixed to the right side of the power inverter module and provides specific disable procedures for emergency personnel.



First Responder Tags

The First Responder cable cut tag is wrapped around the low voltage power wires for the air bag module and the EV control module. It is located in the front wheel house behind the right strut tower. Always cut the low voltage cables to ensure the high voltage contactors are open before performing any extrication work.



Chevrolet Spark EV

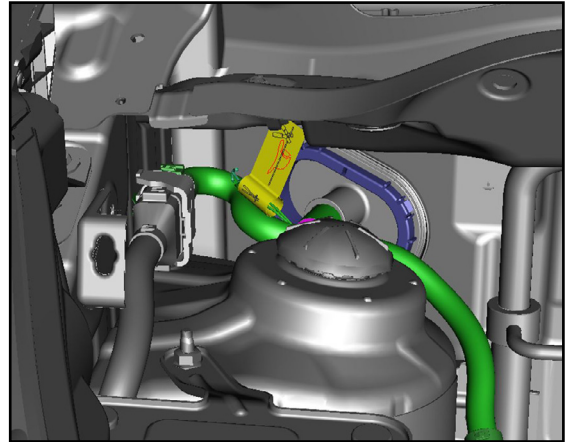
To Disable the Vehicle

1. Turn OFF the ignition switch by pressing the button on the center console controls.
2. Cut the wire harness cable located in the front right wheel house behind the strut tower at the yellow tape.

The High Voltage should be contained within the high voltage battery once the wire harness is cut at the yellow tag.

Note: After disabling 12V power, wait 1 minute to allow any un-deployed air bag reserve energy to dissipate.

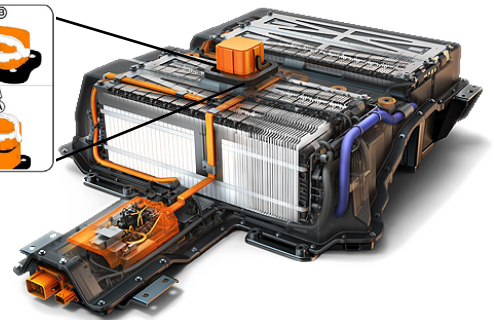
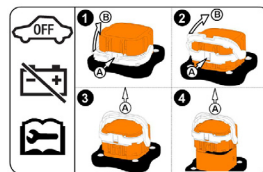
Important: Cut through the cables on each side of the tag to remove a section of the cable to ensure they cannot reconnect inadvertently.



Disabling the High Voltage Battery

During vehicle high voltage service, as part of the disable procedure, the Manual Service Disconnect (MSD) is removed to ensure the high voltage is properly contained. The MSD physically interrupts the high voltage cables internal to the battery. A label underneath the rear seat cushion illustrates the removal of the MSD.

Note: There is high voltage in the battery even when the MSD is removed.



Other Emergency Situations

Incident While Charging Vehicle

In the event that a Spark EV is involved in an incident while the battery is charging, remove the charge cord from the car using the charger cord handle at the charge port in the left front fender. If that cannot be accomplished, terminated the electrical power at the source.

Vehicle Involved in a Fire

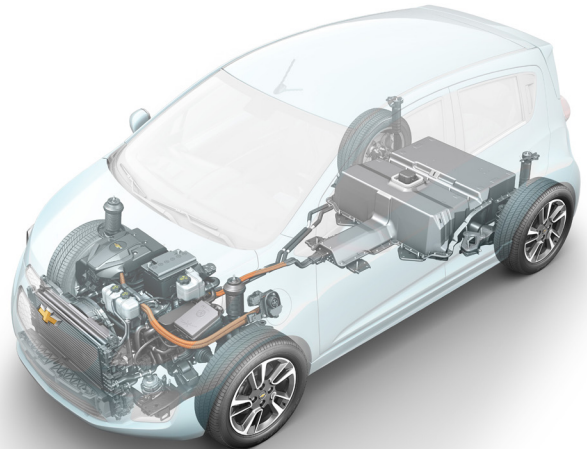
A battery on fire will not explode. If battery cells reach a high enough temperature, they vent and release electrolyte. Battery electrolyte is flammable. Use copious amounts of water to cool the battery and extinguish the fire. Do not use an ABC dry chemical extinguisher because it will not extinguish a battery fire.

Submerged Vehicle

The high voltage battery is sealed and isolated from the vehicle chassis. If the vehicle is submerged in water, you will not be electrocuted by touching the vehicle. Locate and review the Lithium-Ion Battery Chemistry Material Safety Data Sheet for more information.

Vehicle Structure

The vehicle incorporates a strong, body-frame-integral high-strength steel structure that will require adequate cutting tools to penetrate. Also because the vehicle is equipped with dual-stage air bags, the appearance of deployed air bags does not ensure that all stages of air bag deployment has occurred. After disabling 12 volt power, wait 1 minute to allow any un-deployed air bag reserve energy to dissipate.



GM Service Technical College provides this QR free of charge to First Responders. This document may be displayed in a classroom as long as it is represented as GM information and is not modified in any way.

For information regarding modification of GM's First Responder Information for other uses, contact GM's Licensing Manager at: *GM Licensing Program Headquarters • 5775 Enterprise Ct. • Warren, MI 48092 • Attn: Licensing Coordinator*